

Brevera® Breast Biopsy System with CorLumina® Imaging Technology

The Brevera® system is designed to streamline the entire breast biopsy process from start to finish – with real-time imaging for instant verification and automated specimen handling. Explore the technical details here.



Increase accuracy.

Real-time imaging delivers a wealth of information to the point of care – so you can make informed clinical decisions with confidence.



Enhance workflow.

An intuitive user interface, real-time imaging, and automated specimen collection and separation work together to reduce procedure times by up to 25% or more.*



Improve the patient experience.

Fast, accurate procedures mean less time under compression and an improved biopsy experience for you and your patients.

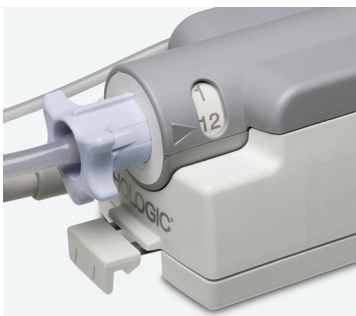
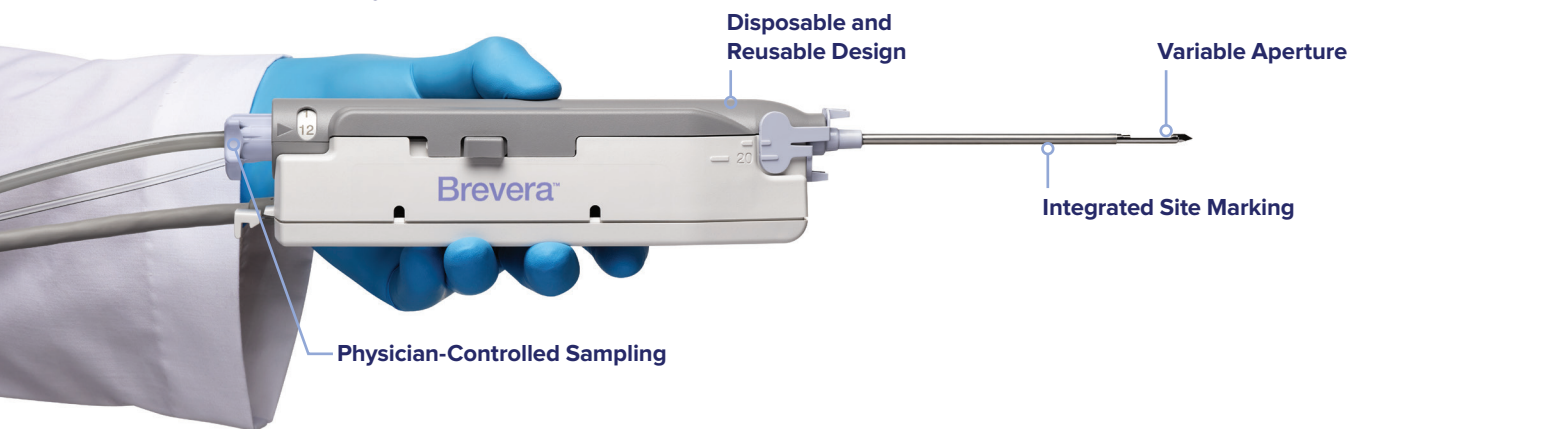
Technical Specifications

Biopsy Device Components	
Reusable driver dimensions	7.8in L x 2.9in W x 1.7in H (19.8cm x 7.4cm x 4.3cm)
Reusable driver weight	17oz (500g)
Disposable needle specifications	14in L x 2in W x 1.25in H (35.6cm x 5.1cm x 3.2cm)
Disposable needle weight with tubing set	9.5oz (269.3g)
Tissue filter diameter	2.4in (6.1cm)
Acquisition Workstation/Specimen Imaging Display	
CPU	Multi-core Intel
Memory	4GB RAM
Hard disk	500 GB (approx. 10,000 patient files)
Storage media	External USB flash drive
Display monitor	15in (38.1cm) WXGA (1366x768) color LCD display, touchscreen
Operating system	Windows Embedded 7
Network connection	10, 100, 1000-Base-T; wireless 802.11 b/g/n
DICOM services	Worklist, print, storage
User interface	On screen keyboard
Visualization enhancement	5 levels of image sharpening
Magnification	Continuous image zoom .075X-20X
Annotations	Circle

Console Control Display	
Display monitor	7in (18cm) LED display
Operating system [†]	Embedded RTOS
X-ray Source	
Energy range	20-35 kV
Anode type	Tungsten
Tube current	1 mA
Exposure	10 mAs maximum
Focal spot size	50 µm
Filtration	125 µm beryllium
Pixel size and output image	20 µm 12bit
Active imaging area	3.3 cm x 2.5 cm
Cabinet	
X-ray features	Drawer interlock, key switch, fully shielded
Indicators	Power, door closed, ready, x-ray on
Console	
Console weight	195lbs (88kg)
Voltage range Brevera 100	100 V–120 V
Voltage range Brevera 200	220 V–240 V
Operating frequency	50Hz–60Hz
Peak line current	9 Amps peak, 4 Amps typical
Power consumption	800W
Power cord length	20ft (6.1m)
Vacuum generated	26.5in Hg (66cm)
Cycle time	8 seconds for acquisition, imaging and verification

The Brevera® Biopsy Device

The control is in your hands.



Brevera®

Breast Biopsy System

The Brevera® System

Transforming breast biopsy in real-time.

Intuitive Interface

Real-Time Core Imaging

Dedicated Technologist Screen

Flexible Dual Monitors

System Guided Setup

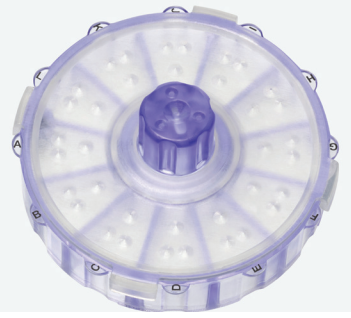
Automated Core Handling



Min 53.25in (135.3cm)
Max 65.25in (165.7cm)

22.75in (57.8cm)

22.75in (57.8cm)



Hologic is a global company using **The Science of Sure** to improve lives by innovating and bringing to market the best diagnostic, detection and surgical technology in the world. We integrate The Science of Sure into everything we do to help healthcare professionals discover, diagnose, and treat their patients with progressive certainty to deliver ever-greater **peace of mind**.

www.hologic.com | info@hologic.com | +1.781.999.7300

**Hologic Headquarters
United States / Latin America**
250 Campus Drive
Marlborough, MA 01752
USA Tel: +1.508.263.2900
Sales: +1.781.999.7453
Fax: +1.781.280.0668
Email: info@hologic.com

Hologic Europe
The Corporate Village
Da Vincilaan 5
Building Caprese, 8th floor
1935 Zaventem
Belgium
Tel: +32.2.711.4680

Hologic Asia Pacific
7th Floor, Biotech Centre 2
No. 11 Science Park West Avenue
Hong Kong Science Park
Shatin, New Territories, Hong Kong
Tel: +852.3748.7700
Fax: +852.3526.0723

Hologic Australia
Suite 402, Level 4
2 Lyon Park Road
Macquarie Park NSW 2113
Australia
Tel: +61.2.9888.8000
Fax: +61.2.9870.7555

DS-09243-US Rev.001 ©2017 Hologic, Inc. All rights reserved. Printed in USA. Specifications are subject to change without prior notice. Hologic, Brevera, CorLumina, The Science of Sure and associated logos are trademarks and/or registered trademarks of Hologic, Inc. and/or its subsidiaries, in the United States and/or other countries. All other trademarks and registered trademarks are the property of their respective owners. This information is intended for medical professionals in the U.S. and other markets and is not intended as a product solicitation or promotion where such activities are prohibited. Because Hologic materials are distributed through websites, eBroadcasts and tradeshow, it is not always possible to control where such materials appear. For specific information on what products are available for sale in a particular country, please contact your local Hologic representative or write to womenshealth@hologic.com.